



The Processor People

PLATEPRO SERIES

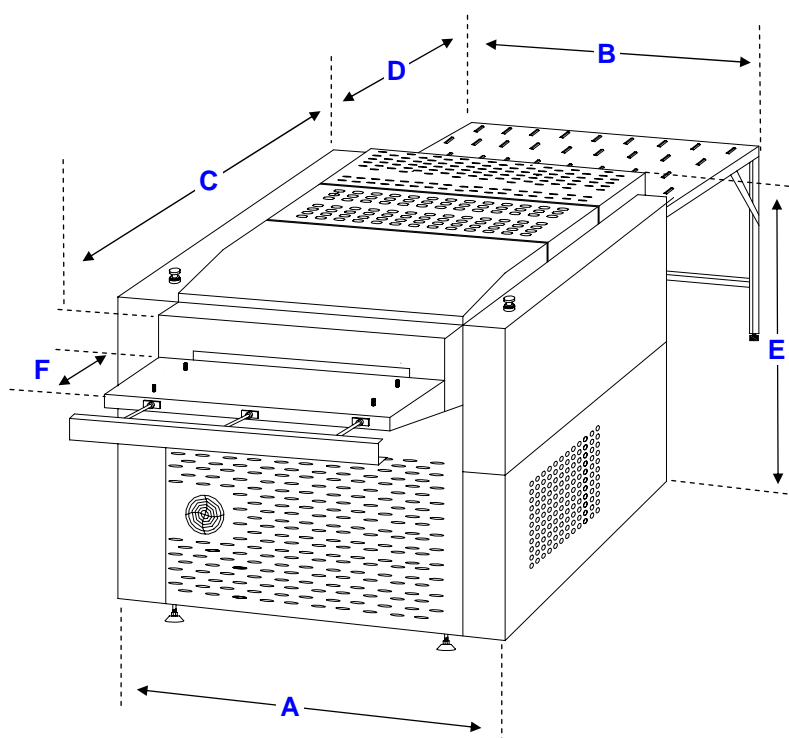
PROCESSORS FOR AGFA SILVER VISIBLE LIGHT PLATE MATERIAL



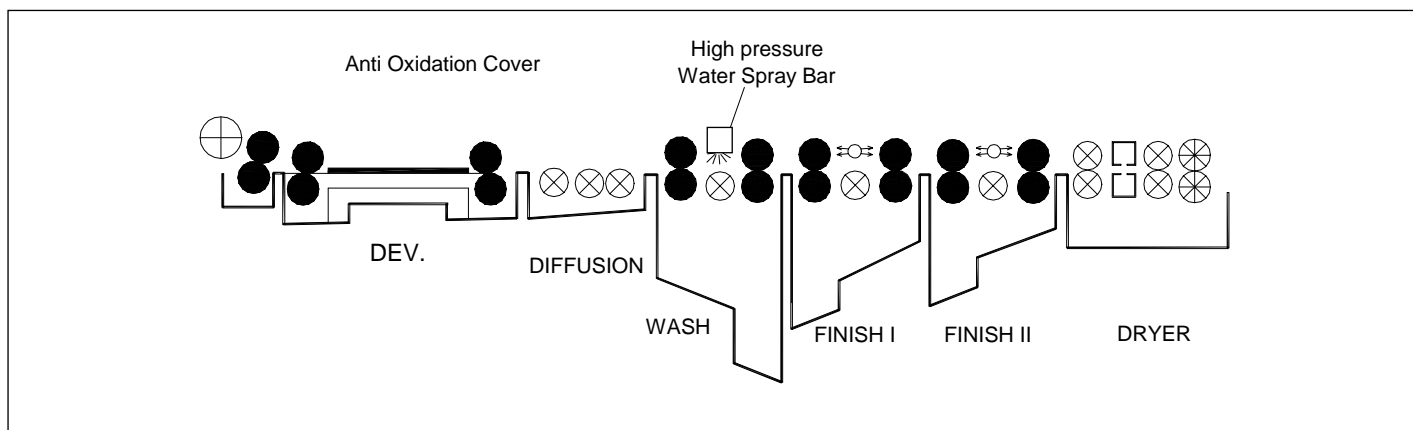
The Agfa Accredited VL range of CTP plate processors for visible light material is available in two widths – 660 mm and 880 mm. Built to exacting standards with stainless steel tanks throughout. Full electronic controls supply a constant process to guarantee plate quality. A unique chiller arrangement is incorporated to ensure correct developer temperature at all times. Quick release wash jets for easy maintenance in an efficient wash off section. Two finishing tanks ensure adequate finalizing of the plate before drying. The Agfa VL series is available as online or offline configurations.

Success in partnership with THE Processor People

SPECIFICATIONS		660VL CTP	880VL CTP
Plate Sizes	Maximum Width	66 cm	88 cm
	Maximum Length	Unlimited	
	Minimum Width	25 cm	
	Minimum Length	30 cm	
Plate Thickness		0.12-0.40 mm	
Plate Processing Speed		1.15m/min@16 seconds developing time	
Developer Temperature Control		18-43° C ± 0.5° C	
Replenishment System, Developer Wash and finisher <i>with low level warning.</i>		(Exhaustion) Scanner Automatic Replenishment (Anti-Ox) Day and Night Separate Automatic Replenishment	
Developer Capacity		11 litres	14.6 Litres
Wash Capacity		11.5 litres	15.3 Litres
Finisher 1 Capacity		5 Litres	6.7 Litres
Finisher 2 Capacity		9.5 Litres	12.7 Litres
Dryer Temperature Control		Adjustable between 30-60° C (Standby 20° C)	
Water Inlet Connection		Not Required	
Drain Connection		Not Required	
Power		3 Phase, neutral & earth, 50-60 Hz, 15 Amp 220/240V	



660 VL CTP	
A	109cm
B	71 cm
C	165 cm
D	90 cm
E	103 cm
F	35 cm
Weight	550 KG
880VL CTP	
A	131 cm
B	83 cm
C	165 cm
D	100 cm
E	103cm
F	35 cm
Weight	670 KG



IGP UK LIMITED
 The Offices above Unit 5
 The Maltings, Maltings Road
 Battlesbridge Essex
 SS11 7RH
 TEL: 01245 323555
 FAX: 01245 323762

Why not visit our website and view our large range of products.
WEBSITE: igp-ukltd.co.uk
 To contact our sales department you can email us direct.
E-Mail: sales@igp-ukltd.co.uk

