



*The Processor People*

# EASY CLEAN

## CLEANING UNIT FOR CHEMISTRY FREE PLATES



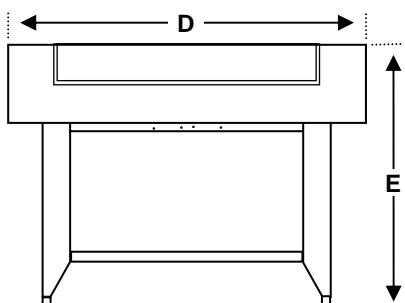
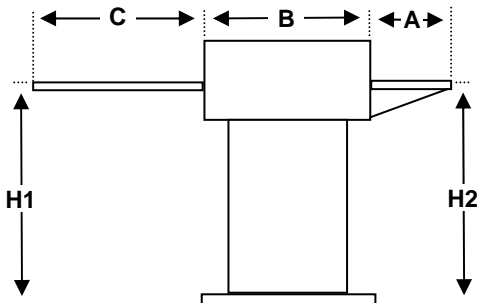
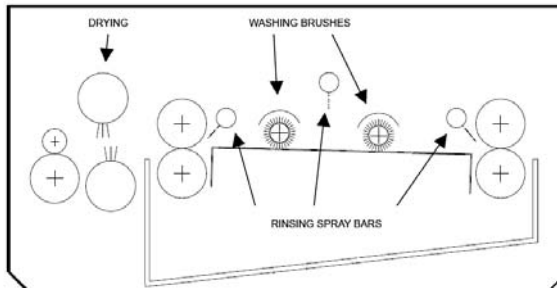
- Top Cover Safety Function
- Automatic Start/Stop
- Cleans and Dries the plate
- 2 Brushes
- Water and Gum Recirculation System (no replenishment required)
- Plate Counter
- Filter Unit

**Options available:**

- Interface board with the CTP
- Bridge for online connection
- Input table

*The Easy Clean unit is very user friendly*

	EASY 85	EASY 120
MAX. PLATE WIDTH	820mm	1.170mm
MIN. PLATE LENGTH	300mm	300mm
PLATE THICKNESS	.12 ÷ .30mm	
SPEED (cm/min)	60	60
POWER REQUIREMENTS	208-240 V + ground 7 Amp -50/60 Hz	
NET WEIGHT (Kg)	155 Kg	200 Kg



	EASY 85	EASY 120
A (mm)	300	400
B (mm)	575	575
C (mm)	900	1200
D (mm)	1275	1615
E (mm)	990 without the adjustable support feet	
H1 (mm)	825 / 945	
H2 (mm)	805 / 925	

*Success in partnership with THE Processor People*



**IGP UK LIMITED**  
 The Offices above Unit 5  
 The Maltings, Maltings Road  
 Battlesbridge Essex  
 SS11 7RH  
 TEL: 01245 323555  
 FAX: 01245 323762

Why not visit our website and view our large range of products.  
**WEBSITE:** [igp-ukltd.co.uk](http://igp-ukltd.co.uk)  
 To contact our sales department you can email us direct.  
**E-Mail:** [sales@igp-ukltd.co.uk](mailto:sales@igp-ukltd.co.uk)



Certificate No. 6139